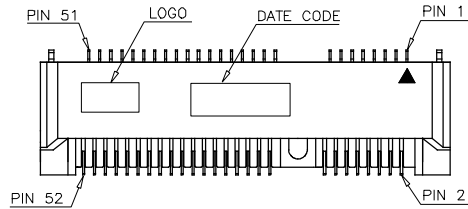


PRODUCT NUMBER

10123824-XXXLF



MATERIAL

HOUSING : THERMO PLASTIC UL94V-0 BLACK  
CONTACT : COPPER ALLOY  
PEG : COPPER ALLOY

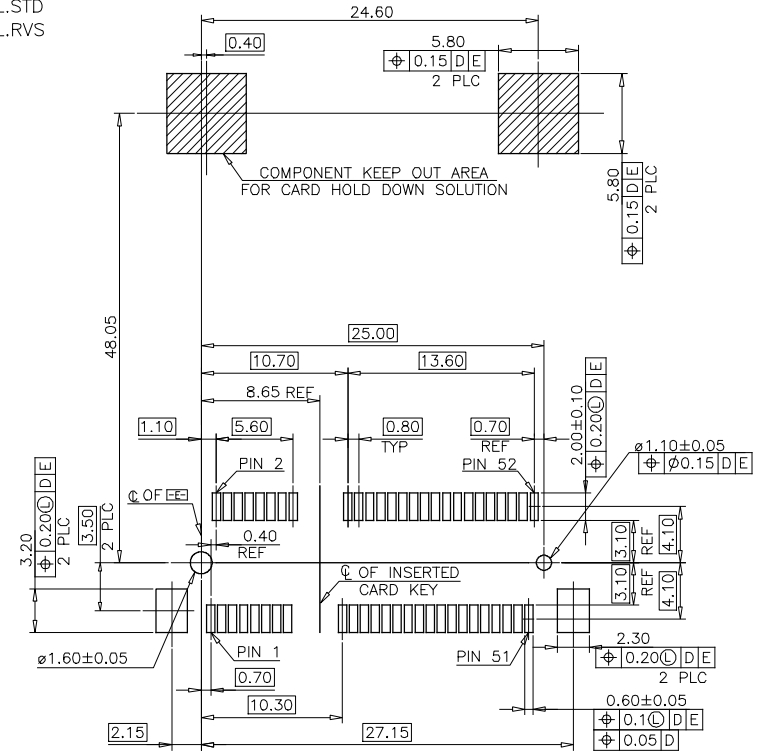
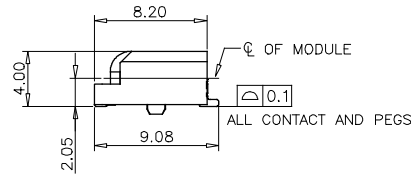
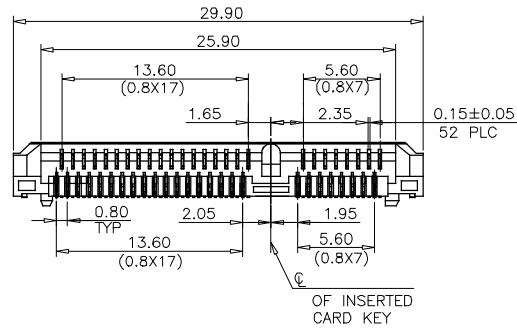
PART NO. SCHEMATIC: 10123824 - XX X LF

TERMINAL PLATING \_\_\_\_\_ PACKING \_\_\_\_\_  
00: NO PLATING 0: TAPE&REEL.STD  
G2: GOLD FLASH 1~3μ<sup>m</sup> OVER Ni 50~100μ<sup>m</sup> 1: TAPE&REEL.RVS  
A2: CONTACT AREA AND SOLDER AREA :  
SELECTION GOLD 1μ<sup>m</sup> OVER Ni 50~100μ<sup>m</sup>  
A7: CONTACT AND SOLDER TAIL AREA GOLD PLATING  
10μ<sup>m</sup> MIN OVER Ni 50~100μ<sup>m</sup>

PRODUCT SPEC.: GS-12-1111  
PACKAGE SPEC.: GS-14-2284

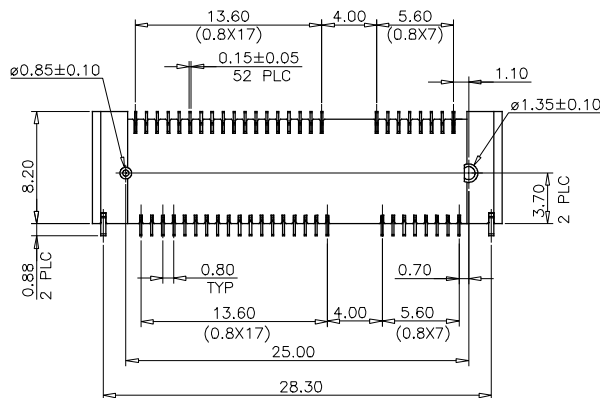
THIS PRODUCT MEETS EUROPEAN UNION DIRECTIVES AND OTHER COUNTRY REGULATIONS AS DESCRIBED IN GS-47-0004

THE HOUSING WILL WITHSTAND EXPOSURE TO 260°C PEAK TEMPERATURE FOR 10 SECONDS IN A CONVECTION, IR OR VAPER PHASE REFLOW OVEN.

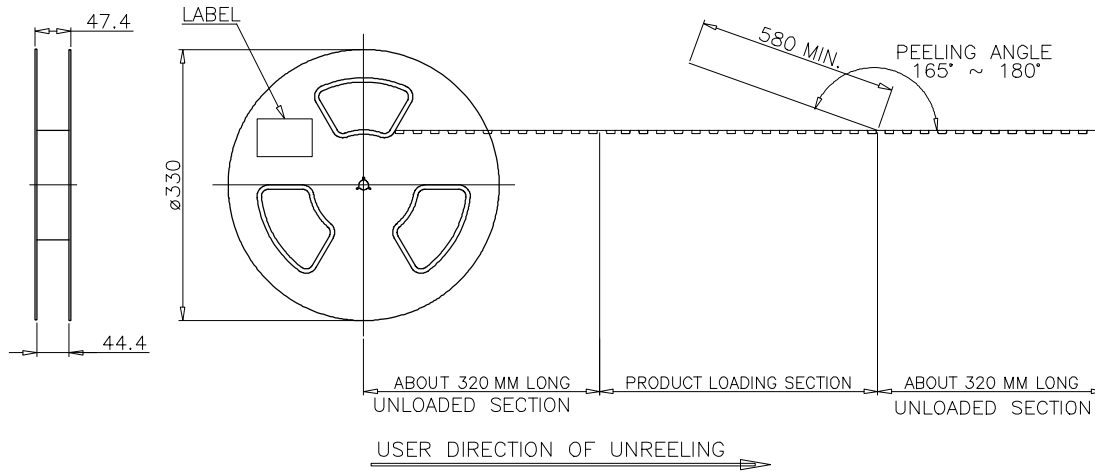


-D- IS THE TOP SURFACE OF PCB.

RECOMMENDED P.C.BOARD PATTERN LAYOUT

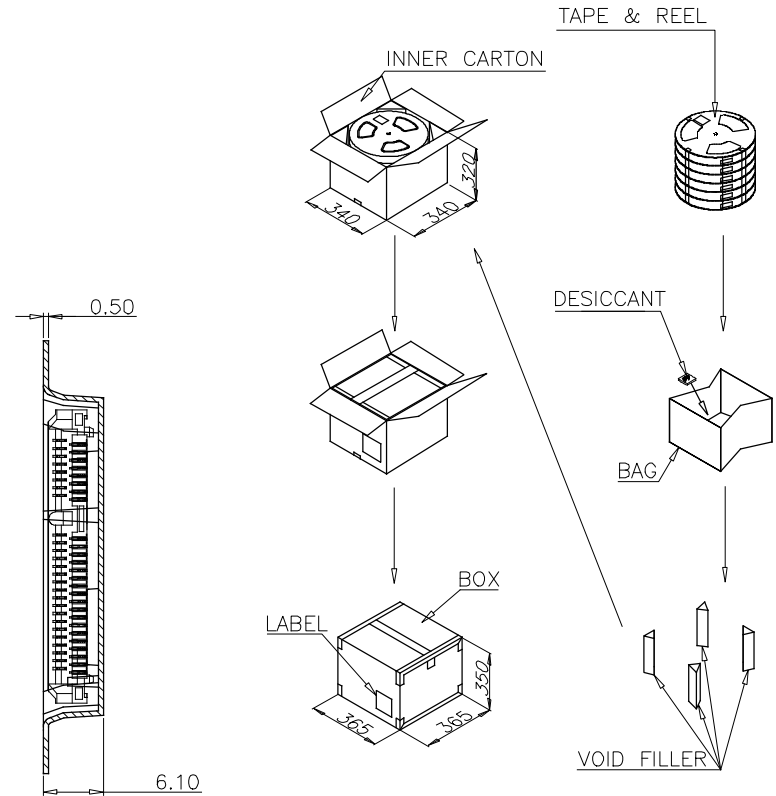
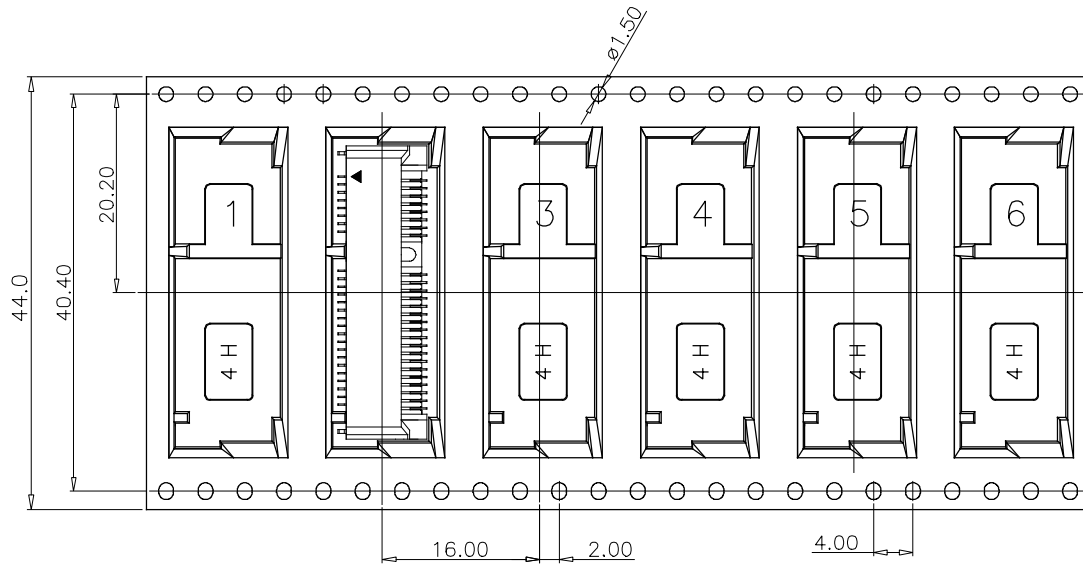


|                    |                |                                       |            |                         |              |            |     |  |                  |
|--------------------|----------------|---------------------------------------|------------|-------------------------|--------------|------------|-----|--|------------------|
| mat'l. code        |                | surface                               |            | tolerance<br>ASME Y14.5 |              | projection |     | product family   |                  |
| ltr ecn no dr date |                | tolerances unless otherwise specified |            | angles                  |              | MM         |     | title  |                  |
| A                  |                | TAI                                   | 2012-12-21 | 0°                      | X.X ± 0.30   |            |     | 0.80MM PITCH MINI PCI EXPRESS<br>HIGH=4.0mm 52 PIN CONNECTOR |                  |
|                    |                |                                       |            | 15°                     | X.XX ± 0.20  |            |     |  |                  |
|                    |                |                                       |            | X°±4°                   | X.XXX ± 0.15 | scale      |     | dwg no sheet 1 of 3 size                                     |                  |
|                    |                |                                       |            |                         |              |            |     | A4   |                  |
|                    |                |                                       |            | dr                      | KENNY TAI    | 2012-12-21 | FCI |  | 10123824         |
|                    |                |                                       |            | enr                     | KENNY TAI    | 2012-12-21 |     |  | CUSTOMER Drawing |
|                    |                |                                       |            | chr                     | KENNY TAI    | 2012-12-21 |     |  |                  |
|                    |                |                                       |            | appd                    | PM ZHENG     | 2013-01-03 |     |  |                  |
| sheet index        | revision sheet | A 1                                   | A 2        | A 3                     |              |            |     |  |                  |



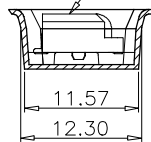
NOTES:

- MATERIAL:  
BOX: FIBREBOARD, CORRUGATED, DOUBLE WALL.  
COVER TAPE: PET, 120C° HEAT-RESISTANT TEMPERATURE, TRANSPARENT COLOR.  
CARRIER TAPE: POLYSTYRENES, 120C° HEAT-RESISTANT TEMPERATURE, TRANSPARENT COLOR.  
REEL: HIPS, 70C° HEAT-RESISTANT TEMPERATURE, BLUE COLOR.  
BAG: POLYETHYLENES, 100C° HEAT-RESISTANT TEMPERATURE, TRANSPARENT COLOR.
- EACH BAG SHALL BE INCLUDED DESICCANT.
- PEELING STRENGTH: 0.1 ~ 1.3 N (10 ~ 130 GRAMS).
- PEELING SPEED: 300 mm/min.



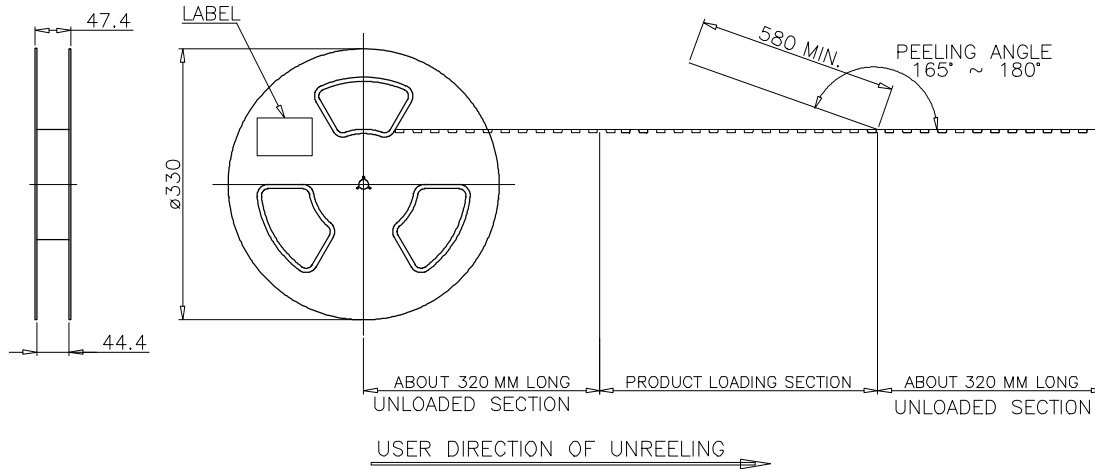
STANDARD TAPE & REEL  
(FOR -XXOLF)

10123824-XXXLF

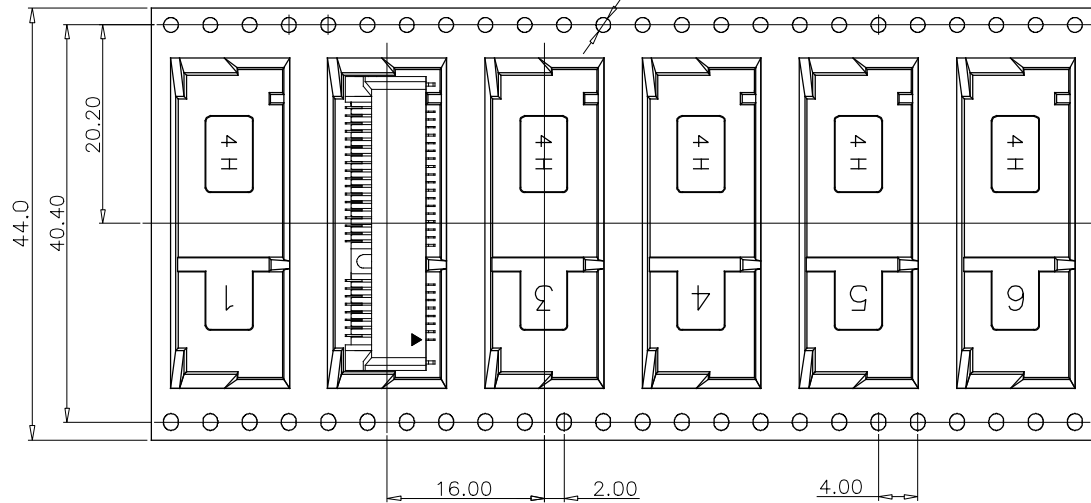


|              |            |           |           |          |
|--------------|------------|-----------|-----------|----------|
| 9.85KG       | 4.61KG     | 650       | 6         | 3900     |
| GROSS WEIGHT | NET WEIGHT | PCS/ REEL | REEL/ BOX | PCS/ BOX |

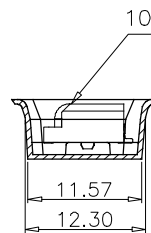
|             |                |         |            |                                       |              |            |  |  |  |
|-------------|----------------|---------|------------|---------------------------------------|--------------|------------|--|--|--|
| mat'l. code |                | surface |            | tolerance<br>ASME Y14.5               |              | projection |  | product family   |  |
| ltr         | ecn no         | dr      | date       | tolerances unless otherwise specified |              | MM         |  | title  |  |
| A           |                | TAI     | 2012-12-21 | angles                                | X.X ± 0.30   | MM         |  | 0.80MM PITCH MINI PCI EXPRESS<br>HIGH=4.0mm 52 PIN CONNECTOR |  |
|             |                |         |            | fil                                   | X.XX ± 0.20  | scale      |  | dwg no   |  |
|             |                |         |            | X*±4°                                 | X.XXX ± 0.15 |            |  | sheet 2 of 3 size  |  |
|             |                |         |            | dr                                    | KENNY TAI    | 2012-12-21 |  | A4   |  |
|             |                |         |            | enr                                   | KENNY TAI    | 2012-12-21 |  | 10123824   |  |
|             |                |         |            | chr                                   | KENNY TAI    | 2012-12-21 |  | CUSTOMER Drawing   |  |
|             |                |         |            | appd                                  | PM ZHENG     | 2013-01-03 |  | type   |  |
| sheet index | revision sheet | A       | A          | A                                     |              |            |  |  |  |
|             |                | 1       | 2          | 3                                     |              |            |  |  |  |



USER DIRECTION OF UNREELING →



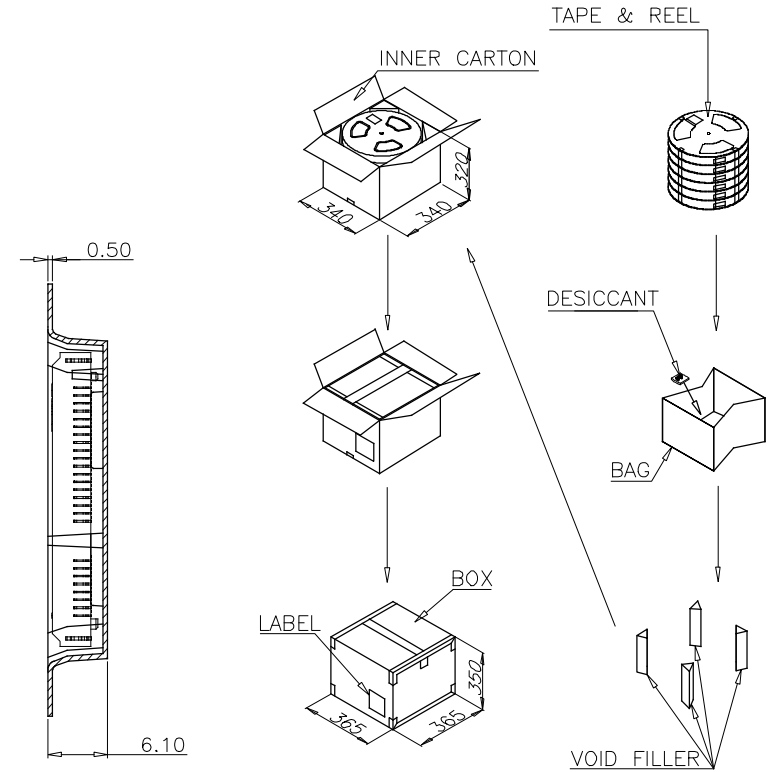
REVERSE TAPE & REEL  
(FOR -XX1LF)



|              |            |           |           |          |
|--------------|------------|-----------|-----------|----------|
| 9.85KG       | 4.61KG     | 650       | 6         | 3900     |
| GROSS WEIGHT | NET WEIGHT | PCS/ REEL | REEL/ BOX | PCS/ BOX |

NOTES:

- MATERIAL:  
BOX: FIBREBOARD, CORRUGATED, DOUBLE WALL.  
COVER TAPE: PET, 120C° HEAT-RESISTANT TEMPERATURE, TRANSPARENT COLOR.  
CARRIER TAPE: POLYSTYRENES, 120C° HEAT-RESISTANT TEMPERATURE, TRANSPARENT COLOR.  
REEL: HIPS, 70C° HEAT-RESISTANT TEMPERATURE, BLUE COLOR.  
BAG: POLYETHYLENES, 100C° HEAT-RESISTANT TEMPERATURE, TRANSPARENT COLOR.
- EACH BAG SHALL BE INCLUDED DESICCANT.
- PEELING STRENGTH: 0.1 ~ 1.3 N (10 ~ 130 GRAMS).
- PEELING SPEED: 300 mm/min.



|             |                |         |            |                                       |              |            |  |  |  |
|-------------|----------------|---------|------------|---------------------------------------|--------------|------------|--|--|--|
| mat'l. code |                | surface |            | tolerance<br>ASME Y14.5               |              | projection |  | product family   |  |
| ltr         | ecn no         | dr      | date       | tolerances unless otherwise specified |              | MM         |  | title  |  |
| A           |                | TAI     | 2012-12-21 | angles                                | X.X ± 0.30   | ← →        |  | 0.80MM PITCH MINI PCI EXPRESS<br>HIGH=4.0mm 52 PIN CONNECTOR |  |
|             |                |         |            | flatness                              | X.XX ± 0.20  | scale      |  | dwg no   |  |
|             |                |         |            | X*±4°                                 | X.XXX ± 0.15 |            |  | sheet 3 of 3 size  |  |
|             |                | dr      | KENNY TAI  |                                       |              |            |  | A4   |  |
|             |                | enr     | KENNY TAI  |                                       |              |            |  | 10123824   |  |
|             |                | chr     | KENNY TAI  |                                       |              |            |  | CUSTOMER Drawing   |  |
|             |                | appd    | PM ZHENG   |                                       |              |            |  | type   |  |
|             |                |         |            |                                       |              |            |  |  |  |
| sheet index | revision sheet | A       | A          | A                                     | A            |            |  |  |  |
|             |                | 1       | 2          | 3                                     |              |            |  |  |  |